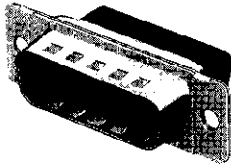




# AMPLIMITE Subminiature D Type Connectors (Continued)

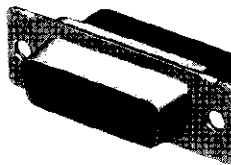
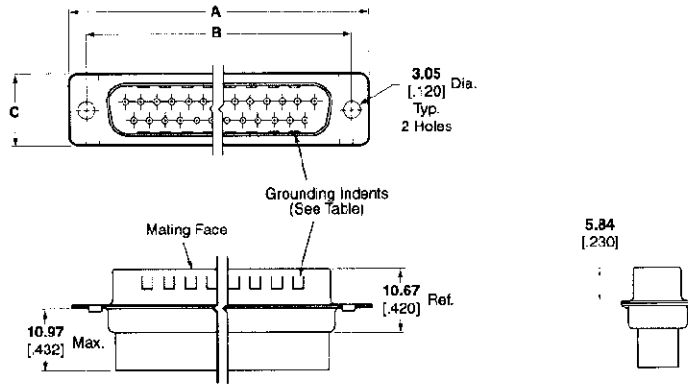
## HDP-20 Crimp Snap-In Contact Connectors



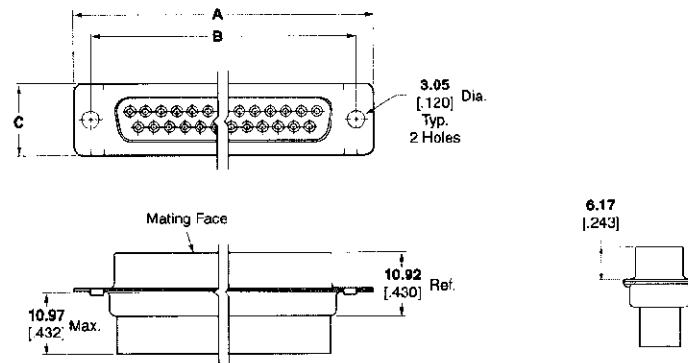
**Material and Finish:**  
**Shell** — Steel, zinc or tin plated  
**Insert** — 94V-0 rated thermoplastic, black

**Mounting Holes:**  
**Standard** — 3.05 [.120] Dia.  
**Clinch Nut** — 4-40 threads with self-locking feature

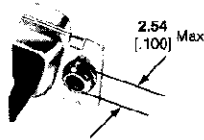
**Plug**



**Receptacle**



**Technical Documents:**  
**Product Specification** — 108-40005  
**Application Specifications** — 114-10000, 114-40030



**Clinch Nut**  
(Plug and Receptacle)

| Shell Size | No. of Contact Positions | Dimensions     |                |               | Insert Material | Mounting Method | Plug Part Numbers         |                        | Receptacle Part Nos.  |
|------------|--------------------------|----------------|----------------|---------------|-----------------|-----------------|---------------------------|------------------------|-----------------------|
|            |                          | A              | B              | C             |                 |                 | Without Grounding Indents | With Grounding Indents | Tin Plated Shell      |
| 1          | 9                        | 30.81<br>1.213 | 24.99<br>.984  | 12.55<br>.494 | 94V-0           | Standard        | 205204-3                  | 205204-4               | 205203-3              |
|            |                          |                |                |               |                 | Clinch Nut      | 745906-1                  | 745906-2               | 745907-1              |
| 2          | 15                       | 39.14<br>1.541 | 33.33<br>1.312 | 12.55<br>.494 | 94V-0           | Standard        | 205206-2                  | 205206-3               | 205205-2              |
|            |                          |                |                |               |                 | Clinch Nut      | 745908-1                  | 745908-2               | 745909-1<br>745909-2* |
| 3          | 25                       | 53.04<br>2.088 | 47.04<br>1.852 | 12.55<br>.494 | 94V-0           | Standard        | 207464-1                  | 207464-2               | 207463-1              |
|            |                          |                |                |               |                 | Clinch Nut      | 745036-3                  | 745036-2               | 207516-3              |
| 4          | 37                       | 69.32<br>2.729 | 63.50<br>2.500 | 12.55<br>.494 | 94V-0           | Standard        | 205210-2                  | 205210-3               | 205209-2              |
|            |                          |                |                |               |                 | Clinch Nut      | —                         | 745135-2               | 207661-3              |
| 5          | 50                       | 66.93<br>2.635 | 61.11<br>2.406 | 15.37<br>.605 | 94V-0           | Standard        | 205212-2                  | 205212-3               | 205211-2              |
|            |                          |                |                |               |                 | Clinch Nut      | —                         | —                      | 745884-1              |

\*Clinch nut mounting with M-3 threads.  
**Note:** Plugs accept size 20 DF pin contacts and receptacles accept size 20 DF socket contacts.

Input/Output

Parallel Applications